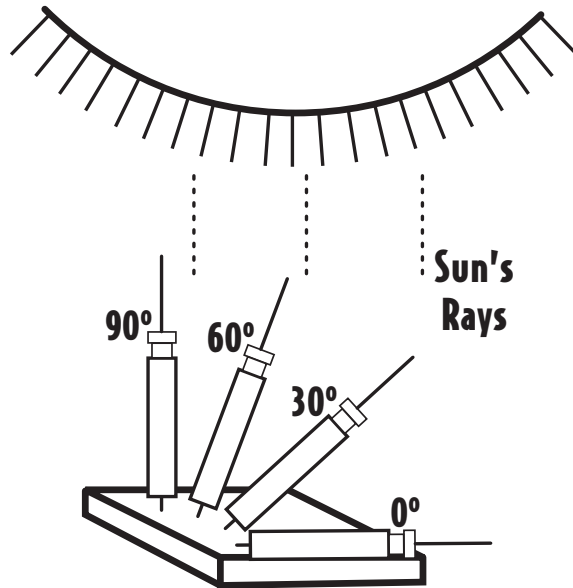


Name \_\_\_\_\_

# Sunray Data Collection Sheet



**Angle of Thermometer to Sun's Rays**

	0 degrees	30 degrees	60 degrees	90 degrees
beginning temperature				
10 minutes				
20 minutes				
30 minutes				
AVERAGE TEMPERATURE				

What did you discover about the angle of the sun's rays and the temperature?