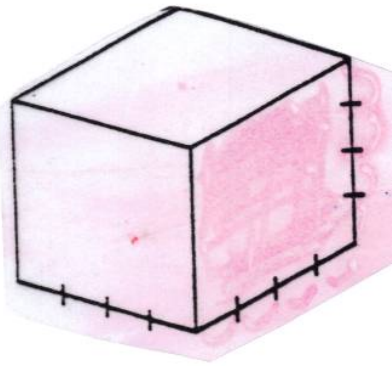
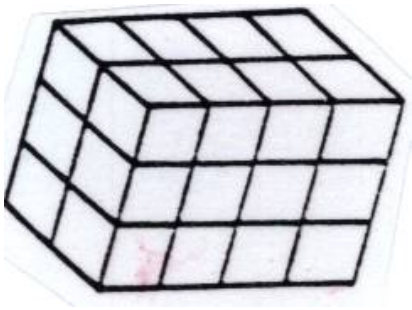


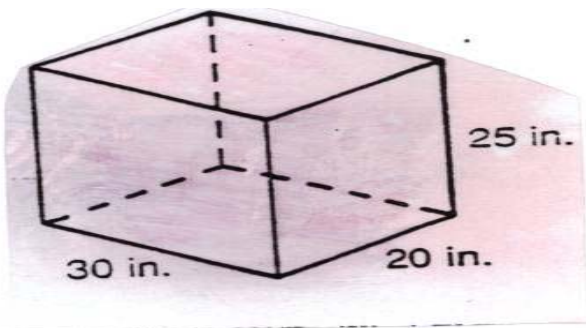
Find the surface area



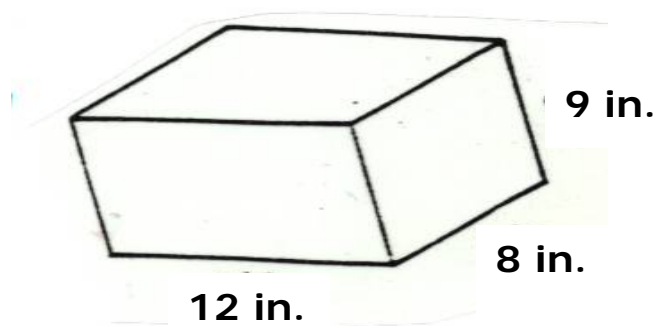
Find the volume.



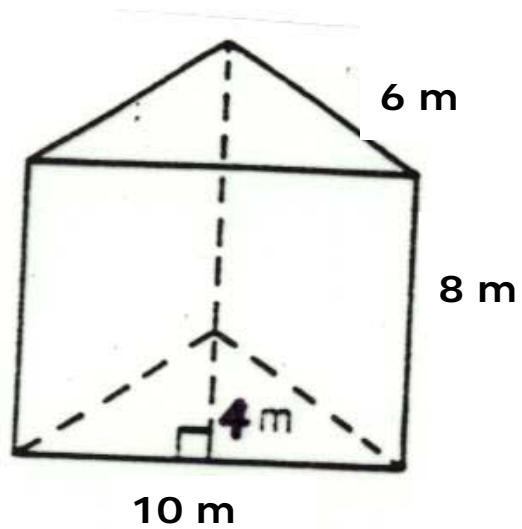
Find the surface area.



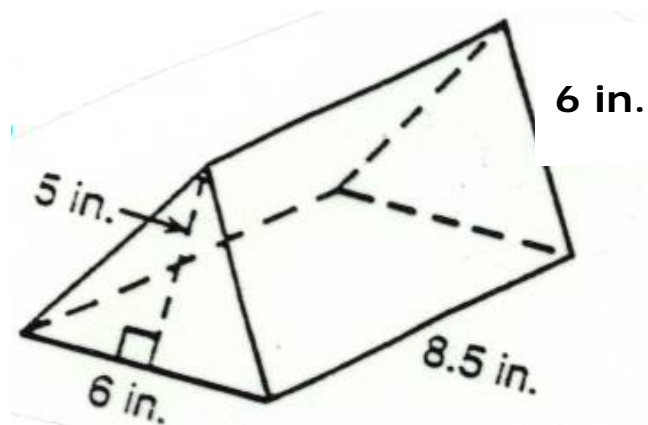
Find the volume.



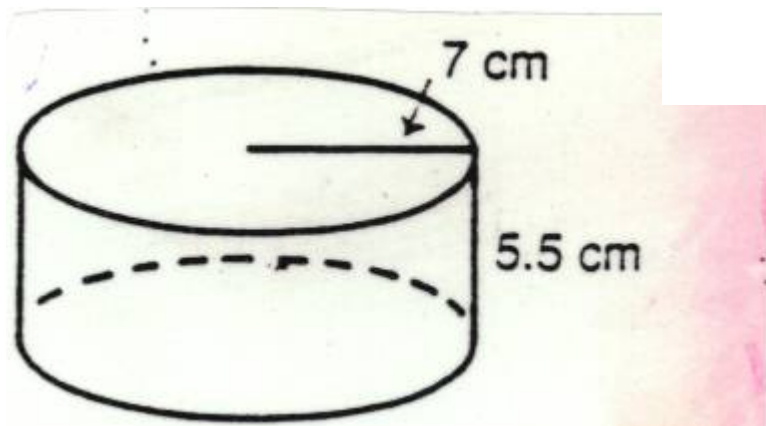
Find the volume.



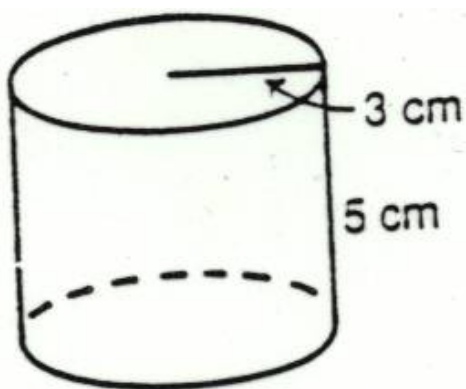
Find the surface area.



Find the surface area.



Find the volume.



Find the volume.

