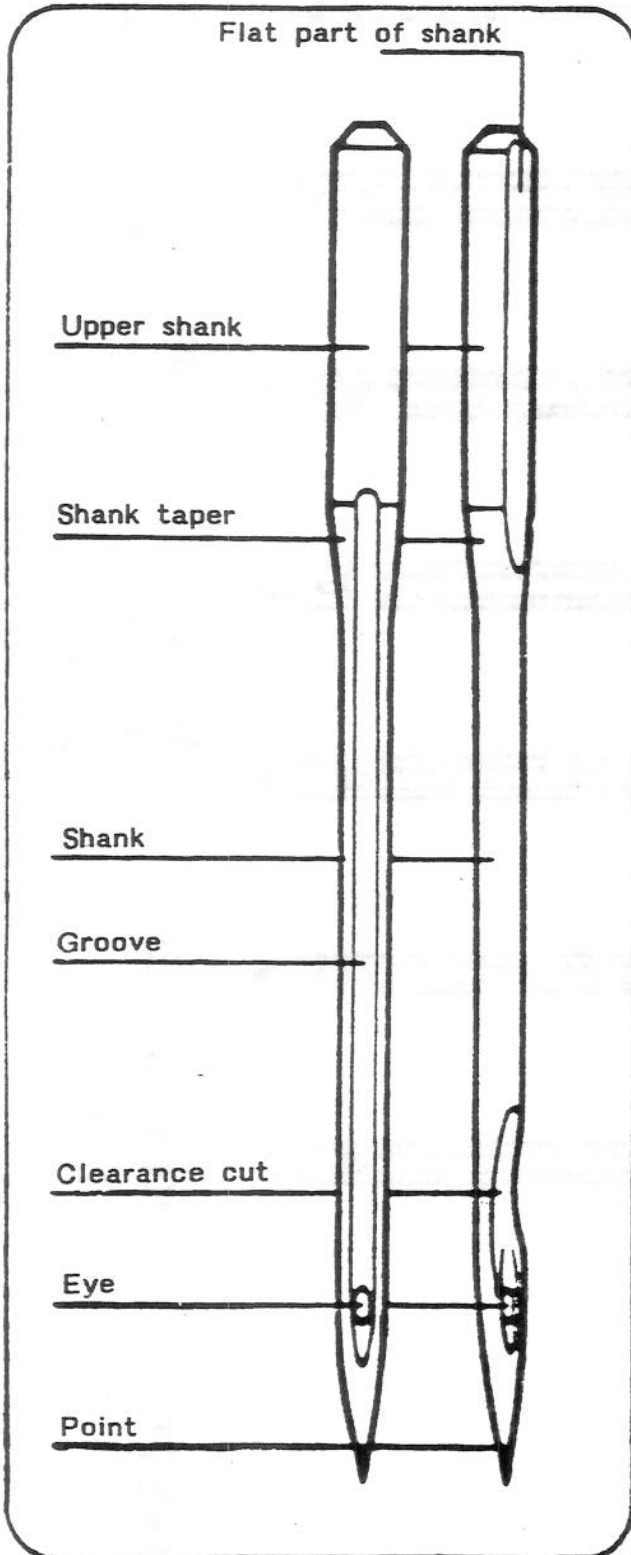
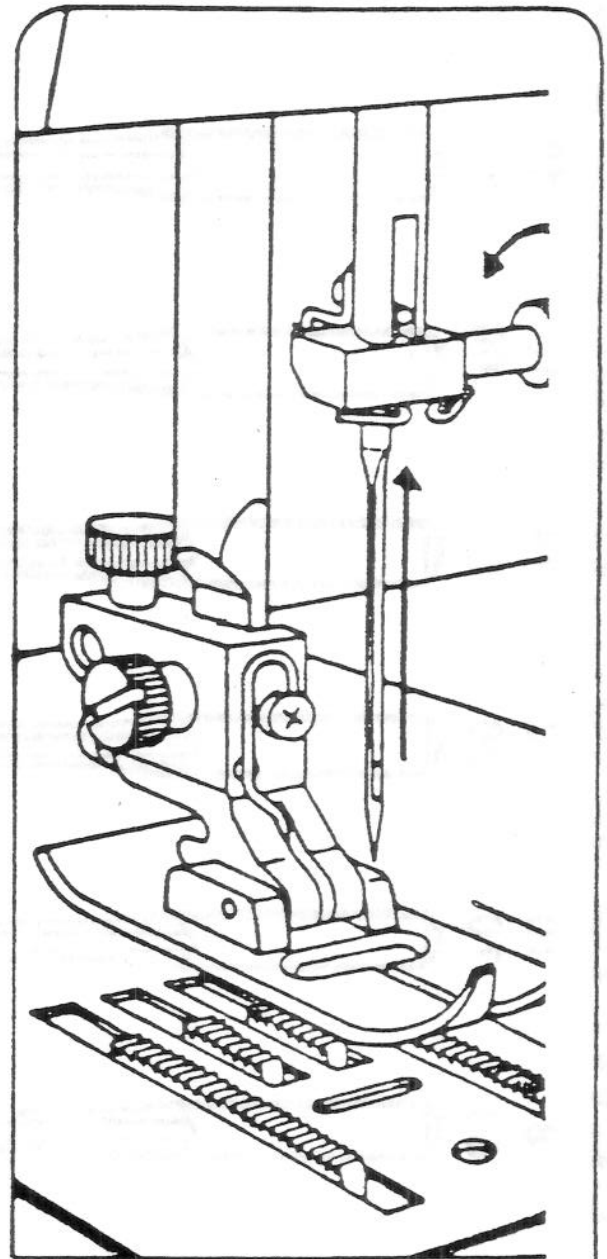




PARTS OF THE NEEDLE



INSERTING THE NEEDLE



Always insert the needle with the groove facing the thread. Generally this is toward the front of the machine.