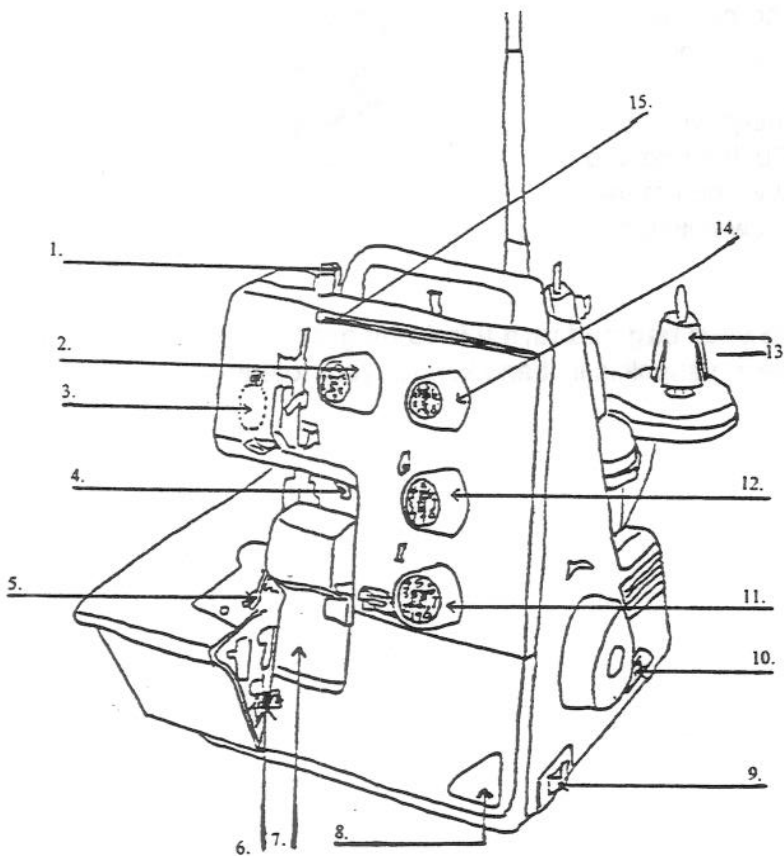




Name _____ Period _____ Date _____

PARTS OF THE SERGER

- A serger is an overlock machine that trims the edges of the fabric and overlocks (knits) the edges together all in one step and at a high rate of speed.
- Sergers contain loopers instead of a bobbin and uses 2, 3, or 4 spools of thread at a time. Lifting and lowering the presser foot as you serge is not necessary.
- The BIG RULE: NEVER, NEVER, EVER USE PINS WHEN SERGING.
- Always leave a 4-inch tail of stitching behind the presser foot. Cut the thread with your scissors next to the fabric. It is best to serge a test piece of your fabric before putting your project in the serger.
- Clean the serging area when you are finished. But, be careful not to catch the serger thread in your project as you enter or leave the serger area.



1. _____
2. _____
3. _____
4. _____
5. _____
6. _____
7. _____
8. _____
9. _____
10. _____
11. _____
12. _____
13. _____
14. _____
15. _____
16. _____
17. _____
18. _____
19. _____
20. _____